

POE

keiga

Audio Advantages

25 Years of Reliability

AUDIO AMPLIFIER & IOT DEVICE ODM / JDM / OEM
SOFTWARE / HARDWARE / MANUFACTURING



© 2021 KEIGA ELECTRONIC INC. 101 v.1

Advantages of PoE Audio

Cost Savings and Simple Installation

- Ethernet cables are less expensive, easier to install and at times already installed
- Eliminates power supply adapter, reducing cost and improves safety
- No licensed electricians required for installation



Advantages of PoE Audio

Better Performance and IoT Benefits

- Digital audio signal has virtually zero latency
- PoE Audio devices are IoT devices which are capable of configuration, monitoring, and control by IT Manager
- Remote troubleshooting minimizes maintenance time and cost

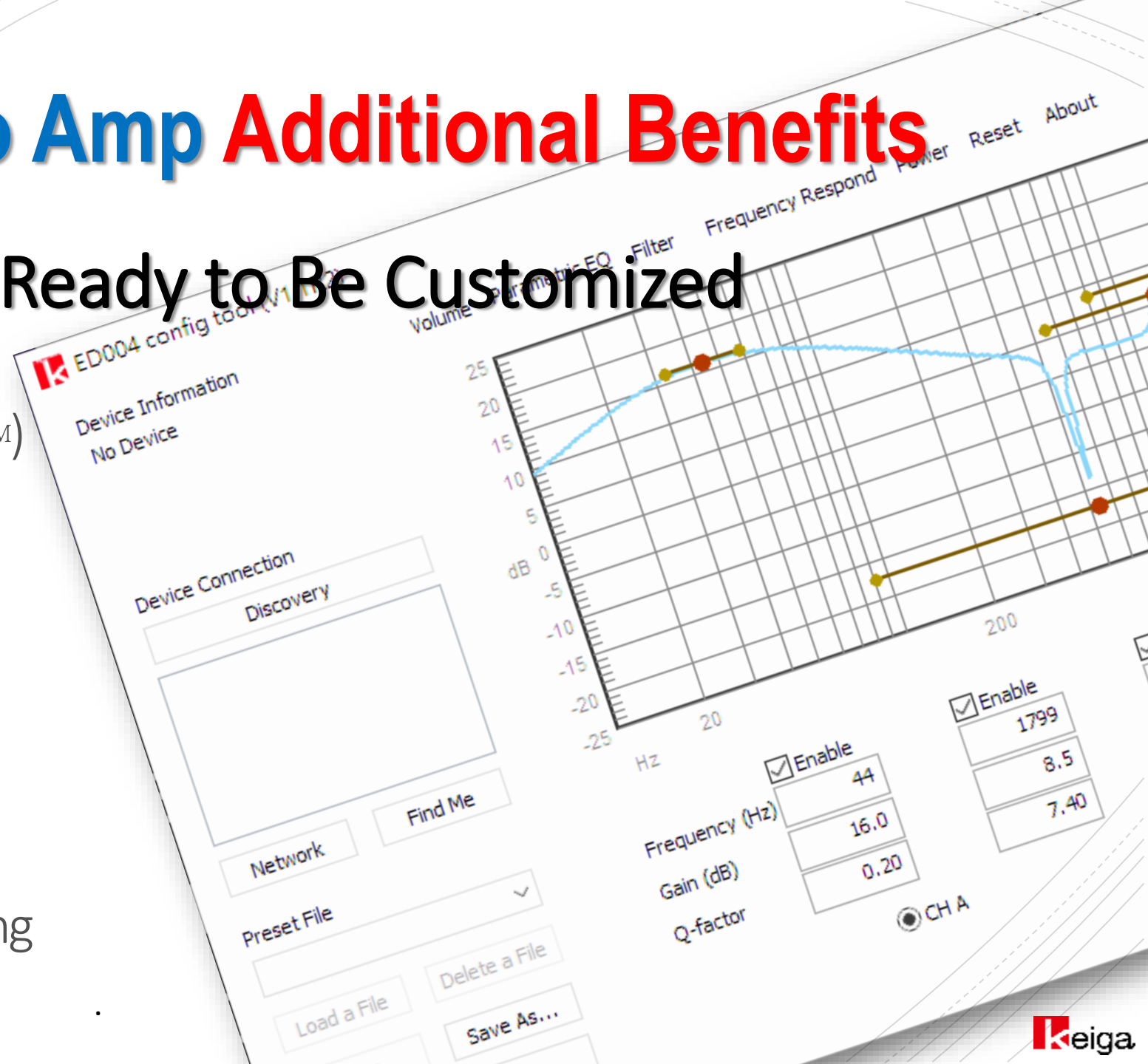


Keiga's PoE Audio Amp Additional Benefits

DSP Embedded and Ready to Be Customized

Keiga Audio Performance (KAP™) proprietary software includes:

- Control all features required optimum DSP performance
- Allows saving and recalling configuration files for faster installation and troubleshooting



Keiga's PoE Audio Amp Additional Benefits

AES67 / Dante System Ready

- Using Dante Ultimo[®] chip for digital sound streaming and management
- Ability to discover and be discovered within Dante[®] system
- Brings Dante[®] sound system to the PoE world of advantages



Keiga's PoE Amp Audio Additional Benefits

Ready to Customize into Speaker Enclosures

- Keiga's PoE Amp board can be easily customized
- Simply to re-layout to your speaker's enclosure
- Hidden PoE Amp board inside of your speaker.



Keiga's PoE Audio Amp Additional Benefits

Function as a Stand-Alone Device

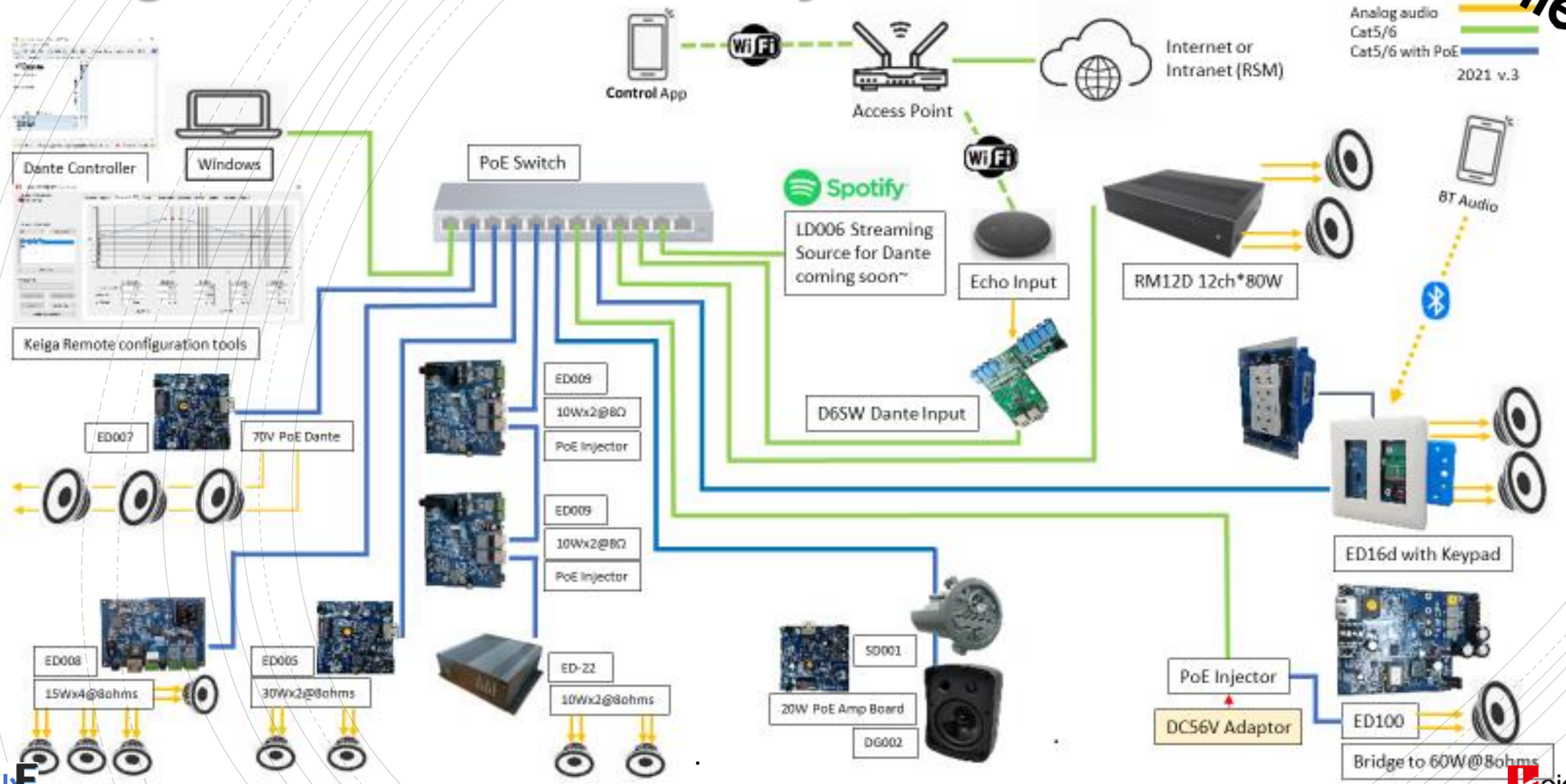
- External box able to connect to one and more speakers
- Easily concealed in the ceiling speaker
- Flexible installation for area speakers



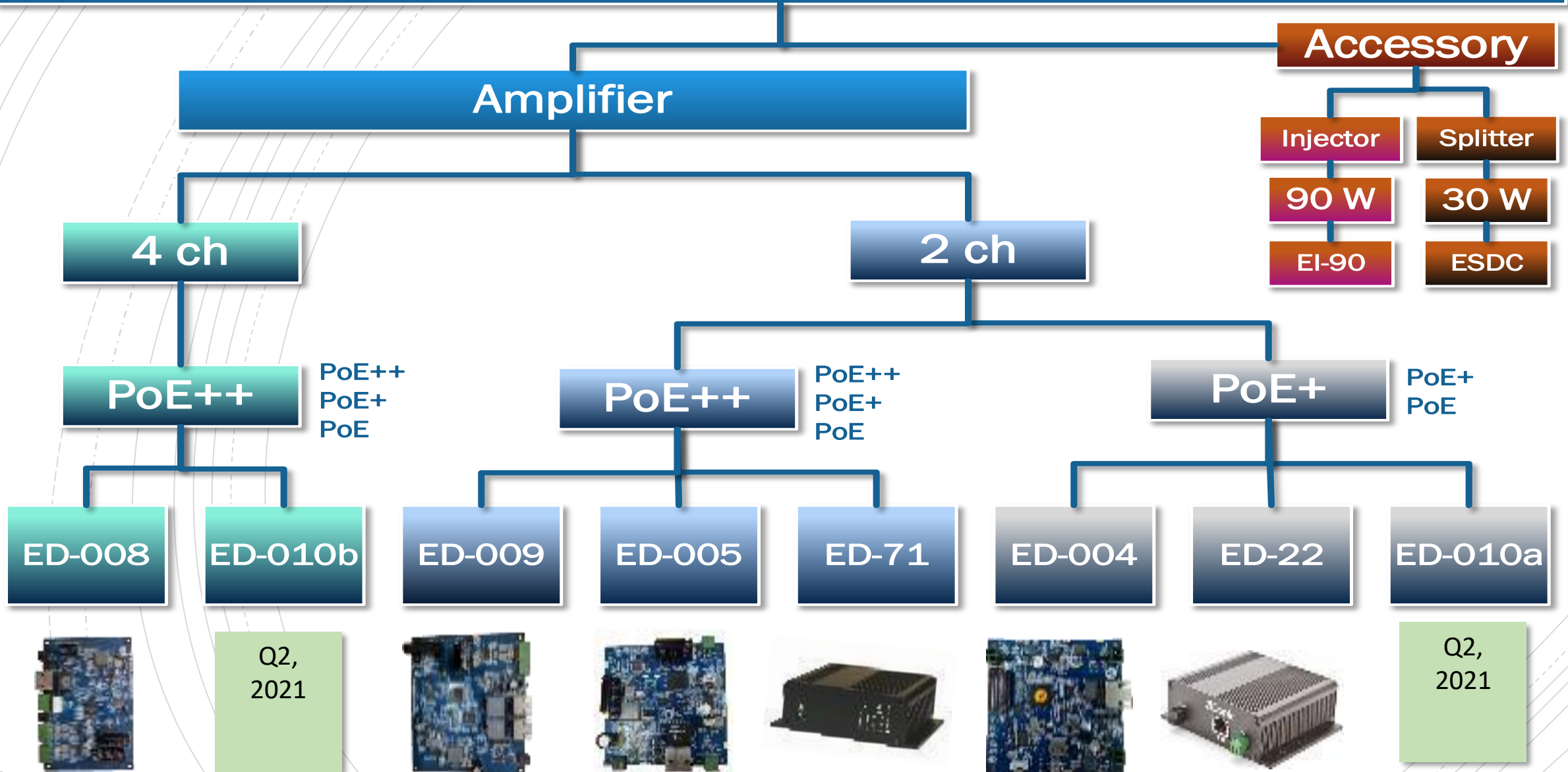
Keiga's PoE Audio Ecosystem



Analog audio
Cat5/6
Cat5/6 with PoE
2021 v.3



Keiga **POE** Product Line





Electronic Inc.

For more product
information, please contact
US....

Keiga.com.tw

Global Integrator:

John Tepley

EMS Integrators

johnt@emsintegrators.com

US Office:

Mal Hollombe

US Advisor

mal@Keiga.com.tw

Taiwan Office:

YF Tsai

PM Director

yftsai@keiga.com.tw

**LET'S DO BUSINESS.
THANK YOU!**