

POE

 keiga

ED-Series Amplifiers

**An 85-W Power Punch**

*28* Years of *Reliability*

AUDIO AMPLIFIER & IOT DEVICE ODM / JDM / OEM  
SOFTWARE / HARDWARE / MANUFACTURING



© 2024 KEIGA ELECTRONIC INC. v.3

71W PoE++  
Standard Amp  
is not enough?





How about an  
**85W**  
Burst Power  
PoE++ Amp



Introducing the  
**ED-013**  
**Puncher**  
PoE++ Dante Amp



Available Now

# ED-013 Puncher PoE Dante® Amplifier

PoE / PoE+ / PoE++

IEEE 802.3af/at/bt

AES67 Compliance

Dante Ultimo™

Audio DSP

5 LED status indicators

PoE status, CH1 Peak, CH1 Signal,  
CH2 Peak, CH2 Signal

PoE Status  
CH 2 Peak  
Signal  
CH 1 Peak  
Signal

## Burst Power\*

85W @4Ω bridged or  
42W x 2ch @8Ω

\* CEA-2006, THD+N=1%  
with external 56V DC input

## Constant Power

71W @4Ω bridged or  
35W x 2ch @8Ω

**KAP™ software:** Find-me, OTP, OCT,  
OVP, Auto Recovery, Surge Protection,  
UART, Optional DC 56V/1.6A.

# Including Exclusive **KAP™** Software

- Volume Control
- Configurations Save & Recall
- Parametric EQ Control
- Auto Discovery
- Filter Respond Adjustment
- Find Me Function
- Power Management and more

**Software can be customized to Your needs**



# Effortless Customization

Keiga's PoE Amp board offers a flexible design for a perfect fit within your speaker enclosure.

- **Discreet Power:** Enjoy the benefits of PoE technology without compromising the clean aesthetics of your speakers.
- **Simplified Integration:** Seamlessly integrate powerful audio amplification directly into your speaker design.



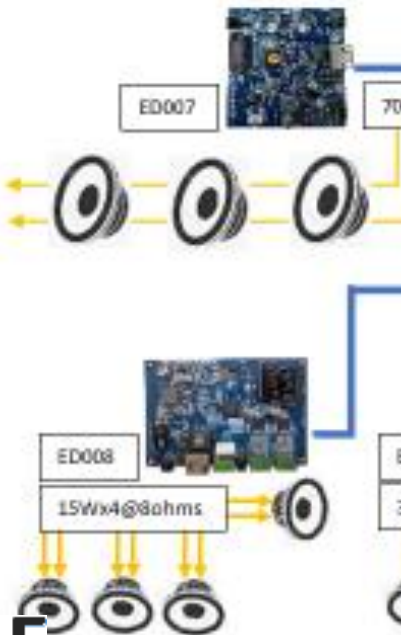
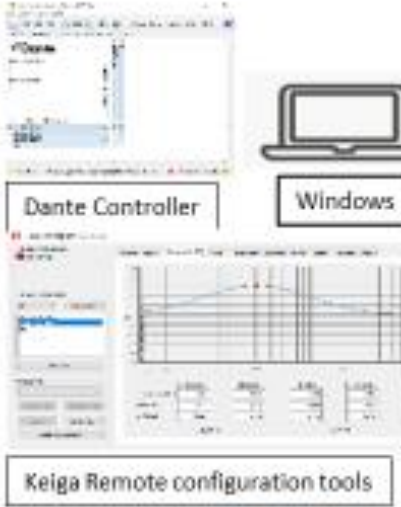
# Keiga's PoE Audio Ecosystem



Analog audio  
Cat5/6  
Cat5/6 with PoE  
2021 v.3

## PoE Dante Amp/Bridge/Injector/Splitter Series:

- **PoE+ 2ch 22W:** ED-004, ED-22
- **PoE++ 2ch 71W:** ED-005, ED-009, ED-71, TD-002
- **PoE++ 2ch 71W Burst to 85W:** ED-013 Puncher
- **PoE++ 4ch 71W:** ED-008, ED-010
- **AES Dante Bridge:** ED-012
- **PoE++ Injector:** EI-90
- **PoE+ Splitter:** ESDC





Model	ED-013	TD002	ED-012	ED-010
				
Audio Channel	2CH	2CH	2CH/4CH	4CH
Category	PoE/Dante Audio Amp	PoE/Dante Audio Amp	PoE/Dante AES I/O	PoE/Dante Audio Amp
Delivery	Box Type	Box Type	Box Type	Box Type
PoE Chip	TI: PoE++, PoE+, PoE	TI: PoE++, PoE+, PoE	TI: PoE+, PoE	TI: PoE++, PoE+, PoE
IP Audio Chip	Dante Ultimo 2out	Dant Ultimo 2in/2out	Dante Ultimio 2in/2out	Dante Ultimo 4out
Audio DSP	ADAU1761	ADAU1761	ADAU1761	TAS5822M
Status LED	PoE/Channel/Peak	PoE/Channel/Peak	Yes	PoE/Channel/Peak
Max. Power	PD: 71W	PD: 71W	N/A	PD: 71W
Data Speed	10/100 Mbps	10/100 Mbps	10/100 Mbps	10/100 Mbps
Distance	100M	100M	100M	100M
KAP Config tools	Yes	Yes	Yes	Yes
Frequency Response	20Hz - 20KHz	20Hz - 20KHz		20Hz - 20KHz
Signal Ratio	~95dB	~95dB		~105dB
FIND ME	Yes	Yes	N/A	Yes
Others	Burst Poewr**** with 42W@8ohms x2 or 85W@4ohms x1	VR, 3.5mm stereo input Optical input, Input select	AES Input/Output***	
Size	155x89x31mm	155x89x31mm	114x92x38mm	155x89x31mm
Weight	300g	290g	230g	280g
Applicatoin	35Wx2@8R Audio Amp 70W@4R Audio Amp	35Wx2@8R Audio Amp 70W@4R Audio Amp Dante Audio Input	AES Dante Bridge	15Wx4@8R Audio Amp 30Wx2@8R Audio Amp PBTL 65Wx1@4R
Audio Network System Compatibility	Dante/AES67	Dante/AES67	Dante/AES67	Dante/AES67
PoE Compliance	IEEE802.3at, IEEE802.3af, IEEE802.3bt Type3/4	IEEE802.3at, IEEE802.3af, IEEE802.3bt Type3/4	IEEE802.3at, IEEE802.3af	IEEE802.3at, IEEE802.3af, IEEE802.3bt Type3/4
Protection	OCP, OTP, OVP Auto Recovery Surge Protection	OCP, OTP, OVP Auto Recovery Surge Protection	AES with ESD protection	OCP, OTP, OVP Auto Recovery Surge Protection
DC Power	DC56V/1.6A, Optional	DC56V/1.6A, Optional	DC5V/1A, Optional	DC56V/1.6A, Optional

\* ESDC SCP & Surge Protection only available for DC12 Input.

\*\* Specifications are subject to update without notification

\*\*\* Also provide 2 AES Input and 2AES Output models.

\*\*\*\* CEA-2006, THD+N=1% with external 56V DC input

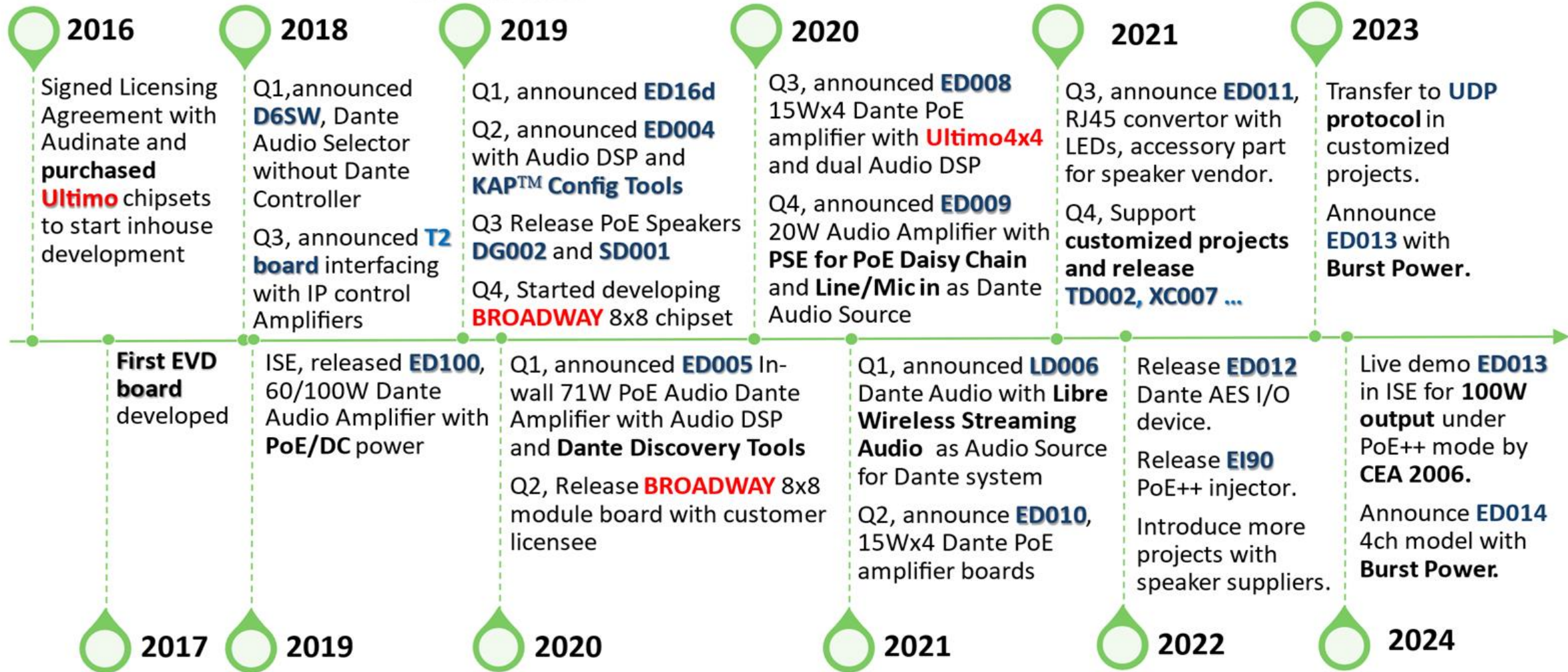
Model	ED-009	ED-008	ED-71	ED-22	EI-90
Audio Channel	2CH	4CH	2CH	2CH	
Category	PoE/Dante Audio Amp	PoE/Dante Audio Amp	PoE/Dante Audio Amp	PoE/Dante Audio Amp	PoE Injector
Delivery	Box Type	Box Type	Box Type	Box Type	Board Type
PoE Chip	TI: PoE++, PoE+, PoE	TI: PoE++, PoE+, PoE	TI: PoE++, PoE+, PoE	TI: PoE+, PoE	LTC: PoE++
IP Audio Chip	Dante Ultimo 2in/2out	Dante Ultimo 4out	Dante Ultimo 2out	Dante Ultimo 2out	N/A
Audio DSP	ADAU1761	ADAU1761*2	ADAU1761	ADAU1761	
Status LED	PoE/Channel/Peak	PoE/Channel/Peak	PoE/Channel/Peak	PoE/Channel/Peak	PoE
Max. Power	PD: 71W; PSE: 90W	PD: 71W	PD: 71W	PD: 30W	PSE: 90W
Data Speed	10/100 Mbps	10/100 Mbps	10/100 Mbps	10/100 Mbps	10/100/1000 Mbps
Distance	100M	100M	100M	100M	100M
KAP Config tools	Yes	Yes	Yes	Yes	N/A
Frequency Response	20Hz - 20KHz	20Hz - 20KHz	20Hz - 20KHz	20Hz - 20KHz	N/A
Signal Ratio	~95dB	~95dB	~95dB	~95dB	N/A
FIND ME	Yes	Yes	Yes	Yes	N/A
Others	MIC In/Line In Headset I/O PoE+ Daisy Chain	GPIOx2			
Size	155x113x31mm	155x89x31mm	114x92x38mm	114x92x38mm	90x62x15mm
Weight	350g	290g	280g	260g	60g
Applicatoin	35Wx2@8R Audio Amp 70W@4R Audio Amp	15Wx4@8R Audio Amp 30Wx2@8R Audio Amp 70W@4R Audio Amp	35Wx2@8R Audio Amp 70W@4R Audio Amp	10Wx2@8R Audio Amp 20W@4R Audio Amp	PoE Injector
Audio Network System Compatibility	Dante/AES67	Dante/AES67	Dante/AES67	Dante/AES67	N/A
PoE Compliance	IEEE802.3at, IEEE802.3af, IEEE802.3bt Type3/4	IEEE802.3at, IEEE802.3af, IEEE802.3bt Type3/4	IEEE802.3at, IEEE802.3af, IEEE802.3bt Type3/4	IEEE802.3at, IEEE802.3af	IEEE802.3bt
Protection	OCP, OTP, OVP Auto Recovery Surge Protection	OCP, OTP, OVP Auto Recovery Surge Protection	OCP, OTP, OVP Auto Recovery Surge Protection	OCP, OTP, OVP, Auto Recovery Surge Protection	SCP, OTP Surge Protection
DC Power	DC56V/2A, Optional	DC56V/1.6A, Optional	DC56V/1.6A, Optional	DC56V/1.6A, Optional	DC56V/2A, Optional

\* ESDC SCP & Surge Protection only available for DC12 Input.

\*\* Specifications are subject to update without notification

\*\*\* Also provide 2 AES Input and 2AES Output models.

\*\*\*\* CEA-2006, THD+N=1% with external 56V DC input





We Love to  
ODM / OEM  
Your Products

[www.Keiga.com.tw](http://www.Keiga.com.tw)

✉ **Jim@Keiga.com.tw**

☎ (847) 687-6522

✉ **Keiga@Keiga.com.tw**

☎ +886-2-8227-1020

- Rack-Mounted Power Amps
- Speaker Plate Amps
- RV & Marine Amps
- Dante PoE Amps
- Bluetooth Classic / BLE / Auracast Amps
- 2.4GHz Wireless Audio Tx / Rx
- In-Wall & Mini Amps

**CHECK OUR WEBSITE AND  
CONTACT US TODAY!!**